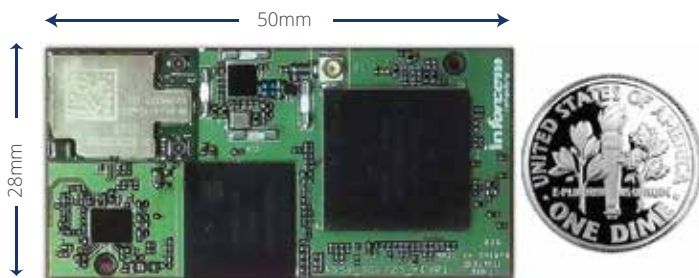




Inforce 6501[™] Micro SoM

Qualcomm[®] Snapdragon[™] 805 Processor-based Micro System-on-Module

High performance module in a micro form factor for space constrained Applications



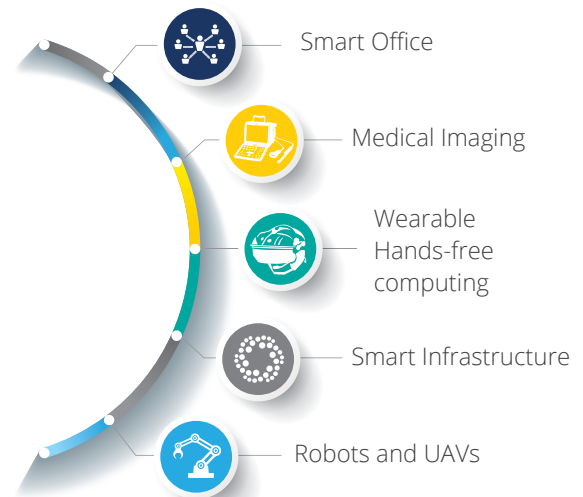
Inforce Computing's highest performing Inforce 6501 Micro SOM, is based on Qualcomm's Snapdragon 805 processor (APQ8084) in the world's smallest Snapdragon module for embedded applications. The plug-and-play Inforce 6501 Micro module comes in an ultra-small form factor of 28mm x 50mm. The Snapdragon 805 processor is the first commercial mobile-grade processor to support 4K Ultra HD display, including 4K Ultra HD UI and hardware assisted 4K Ultra HD video capture and playback realistic 3D gaming, and up to 55MP camera support.

Storage, Multimedia, and Connectivity

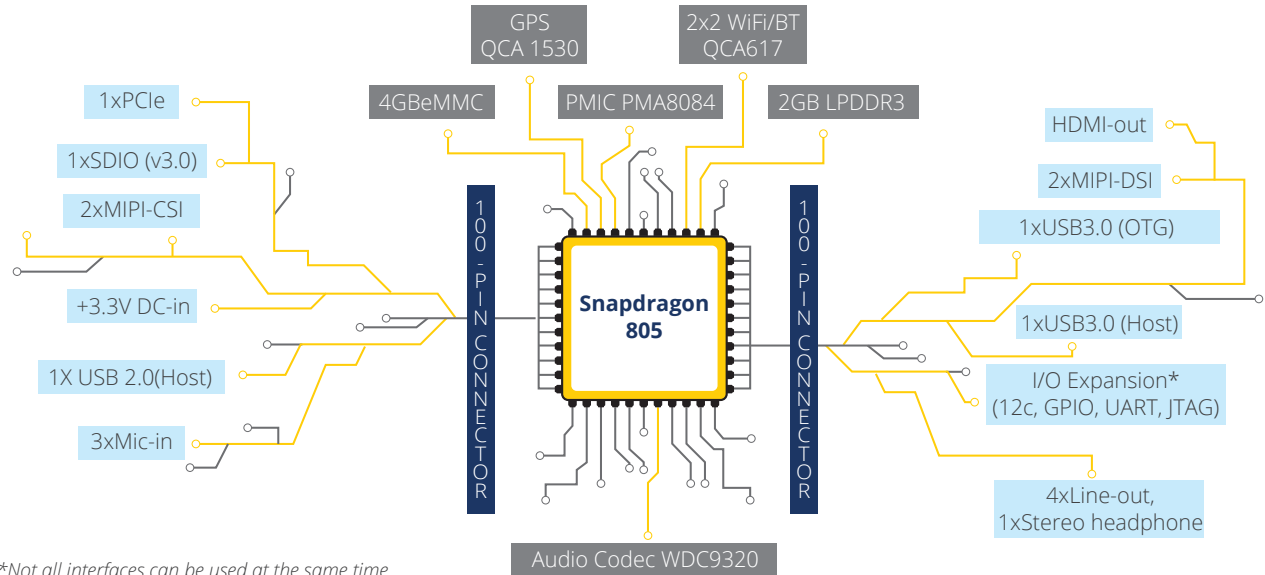
- 4GB eMMC v4.5/5.0 (support up to 16GB) NAND flash
- Up to 3GB PoP LPDDR3 @800MHz 2X64-bit 25.6GB/s memory bus for fast, seamless multitasking
- Supports SDIO v3.0 interface for memory expansion
- 4K Ultra HD video w/ HEVC playback & H.264 capture
- HQV[™] Video Post Processing
- Hi-Fi Audio with 24bit/192Khz playback support
- Support for 3 concurrent displays with MIPI-DSI and HDMI
- Support for 3 cameras over MIPI-CSI
- Bluetooth 4.1, 2x dual-band WiFi, and GPS
- Support for 1x PCIe interface

Processing, Power and Performance

- Qualcomm[®] Snapdragon[™] 805 APQ8084 SoC
 - Quad-core Krait[™] 450 CPU @2.5GHz each, 2MB L2 cache. ARM[®]v7 compliant
 - Adreno 420 GPU @4.8 Giga Pixels/second; support for OpenGL ES3.1, OpenCL 1.2 Full Profile, plus hardware tessellation, geometry shaders, programmable blending, and low power consumption
 - Hexagon[™] DSP v50 @600MHz for ultra low-power audio and computer vision processing
 - Dual image signal processors (ISP) @1.2GP/s throughput and support for 3 cameras up to 55MP
- Independent dynamic CPU/GPU clocking and voltage scaling for superior power efficiencies
- Ultra low-power always-on sensor engine



Broad Application Space



*Not all interfaces can be used at the same time

Flexible and Configurable I/O Interfaces

- HDMI 1.4a
- Dual MIPI-DSI (4-lane) & Touch Screen
- Dual MIPI-CSI (4 lane)
- 1x USB 3.0 (Host)
- 1x USB 3.0 (OTG)
- 1x USB 2.0 (Host)
- 1 x PCIe, 1 x SDC
- WiFi and GPS external antenna connectors
- 1x JTAG
- 1x RS-232
- 2 x 12C, 1 X UART, 8 X GPIOs, Slim Bus
- 1x Stereo headphone out, 4x lineout, 3x mic in

Network Interfaces

- 802.11 ac 2X 2.4GHz/5GHz WiFi & Bluetooth 4.1
- GPS

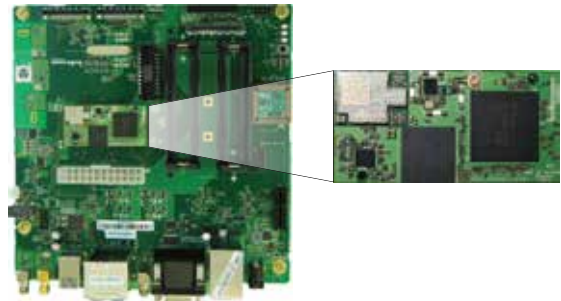
Power, Mechanical, and Environmental

- Power: +3.3V/6A Input
- Dimensions: 28mm x 50mm
- Operating Temp: 0° C to 70° C
- Storage Temp: -20° C to 80 C
- Relative Humidity: 5 to 95% non-condensing
- RoHS and WEE compliant

Inforce - Embedded. Connected. Aware.

Inforce Computing® is a supplier of application-ready embedded hardware platforms in eco-aware, low-profile footprints, available off-the-shelf to serve growing markets enabled by the next generation of connected devices. At Inforce, we are inspired by the inflection point in mobile and wireless technologies which is spawning innovative devices, content, and services. Together with our silicon, software, and system partners, Inforce is pioneering products with an optimized delivery model for medical imaging, smart office, hands-free computing, robotics, and drones.

Carrier Board For Inforce 6501 Micro SOM



A mini-ITX carrier board (170X170mm) expands the I/O and connectivity of the Inforce 6501 micro SOM. A full development kit inclusive of both is available.

Software Support

- Android KitKat 4.4 BSP
- Device drivers for cameras, displays, and peripherals

Ordering Info

Part Number	Description	Available
IFC6501-00-P1	Inforce Micro SOM	Q1 2015
SYS6501-00-P1	Full Development Kit	Q1 2015

<http://www.inforcecomputing.com/index.html>

© 2015 inforce computing, Inc. All rights reserved. All data provided is for informational purposes only and does not represent any expressed or implied guarantees. At the time of publishing, the information is believed to have been accurate; nevertheless, Inforce computing doesn't assume responsibility for any errors, omissions, and inaccuracies whatsoever. Product specifications are subject to change without notice. Inforce Computing and the Inforce logo are registered trademarks of Inforce Computing, Inc. in the USA and other countries. Qualcomm and Snapdragon are trademarks of Qualcomm Incorporated, registered in the United States and other countries; used with permission. Qualcomm Snapdragon is a product of Qualcomm Technologies, Inc. Qualcomm Snapdragon, Qualcomm Adreno, Qualcomm Hexagon, Krait™ and HQV™ are products of Qualcomm Technologies Inc. All other trademarks and product information are the property of their respective owners.