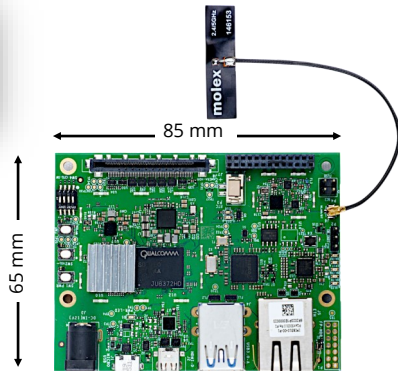




Inforce 6310™ Micro SBC

Qualcomm® Snapdragon™ 450 Processor based Single Board Computer



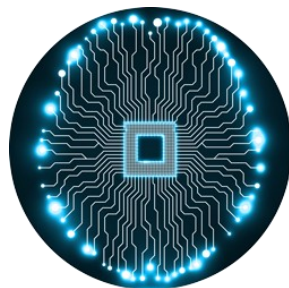
A compact turnkey solution featuring on-device AI And designed for display Applications

The Inforce 6310 SBC is a compact streaming solution for FHD display applications based on the 64-bit Octa-core Qualcomm® Snapdragon™ 450 CPU, Adreno™ 506 GPU and Hexagon™ 546 DSP. This enables a more responsive, power-efficient user-experience and rendering of clear videos in FHD@60fps resolution with hardware accelerated support for VP9 decode.

These components, coupled with 802.11ac MU-MIMO Wi-Fi, BT 4.2, a full featured USB3 interface and high fidelity audio make the Inforce 6310 SBC a good fit for applications that necessitate fast connectivity, vibrant displays and immersive multimedia experiences such as digital signage and IoT use cases. The default SKU comes as a boxed product with a fan-less plastic enclosure and built-in thermal dissipation for improved performance.



Digital signage



Artificial Intelligence



Higher performance with Qualcomm SDA450 octo-core CPU, each designed to optimize for a unique UX



Hexagon™ 546 DSP and Adreno™ 506 GPU featuring realistic 3D imagery, to support Efficient rendering of advanced 3D graphics



Qualcomm Content Protection Framework; Secure Boot; Storage and Debug security



Extended lifecycle; OEM engagement options for BTO and custom variants



Production-ready with volume-conscious pricing



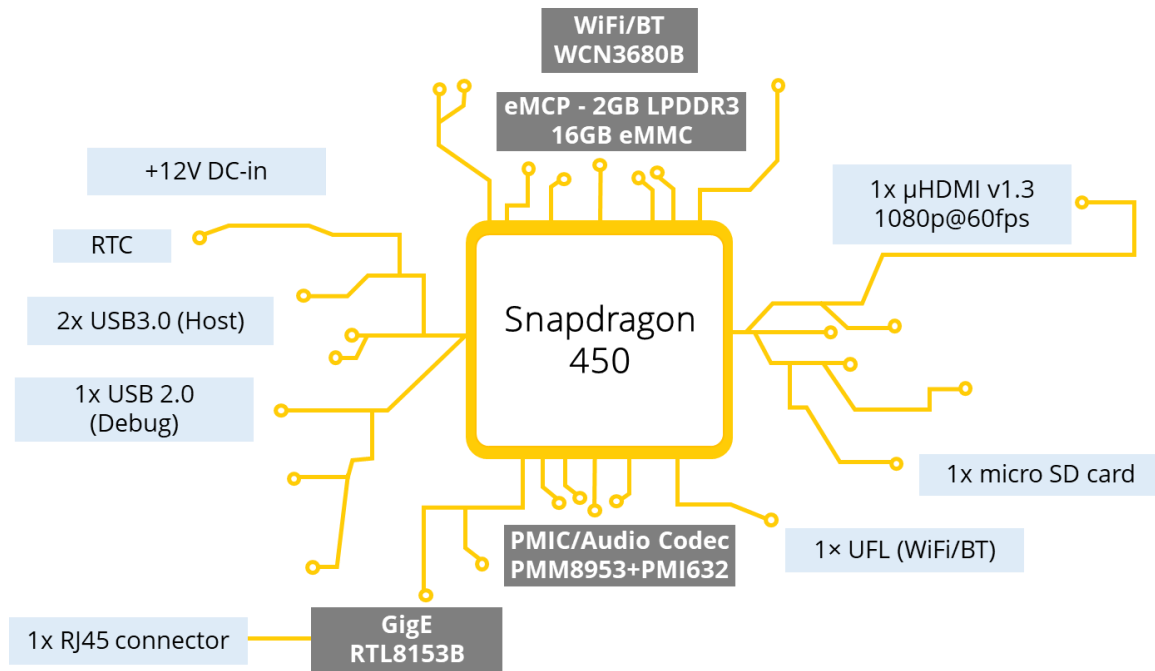
Dedicated Technical Support from SMART TechWeb



Connected Displays



AV Analytics



Technical Specifications

Processors

- ◆ 64-bit Octocore ARM® A53 CPU (SDA450 SoC) @1.8GHz
- ◆ Qualcomm® Adreno™ 506 GPU with support for OpenGL ES 3.1 and OpenCL 2.0 Full
- ◆ Qualcomm® Hexagon™ 546 DSP low-power audio processing

Memory / Storage

- ◆ 2GB LPDDR3+16GB eMMC (Default); 4GB LPDDR3+32GB eMMC (Optional)
- ◆ SD V3.0 μSD card interface

Connectivity

- ◆ 2.4G/5G, 802.11 a/b/g/n/ac WiFi
- ◆ BT2.1+EDR/3.0/4.1 LE/4.2 BLE
- ◆ GbE
- ◆ USB 3.0/2.0; USB OTG
- ◆ GPIOs/UARTs/I2Cs/SPI(Master only)

Multimedia

- ◆ Encode - 1080p60fps (HEVC/H.264)
- ◆ Decode - 1080p60fps (HEVC/H.264/VP8/VP9/VC-1/ MPEG-4)
- ◆ Wireless Display - 1080p60fps Decode + 1080p30fps Encode
- ◆ Concurrent 1080p60 Encode + 1080p60 Decode (with VP9 support)

Other Specifications

- ◆ **Power:** +12V DC input socket (1.5A typ.)
- ◆ **Operating Temp:** 0° - 50° C
- ◆ **Relative Humidity:** 5 to 95% non-condensing
- ◆ RoHS and WEE compliant. FCC,CE and UL certified

Software

- ◆ Android 10 BSP pre-loaded with Qualcomm SDKs enabled.

Ordering Info

Part Number	Description
◆ SYS6310-00-P2	Boxed product with plastic enclosure; Android 10 OS.
◆ IFC6310-01-P2	Built-to-order; Micro SBC (Android 10 OS); WiFi/BT antenna, onboard heatsink; Board with power supply.

SMART Wireless Computing® is a supplier of application-ready embedded hardware platforms in eco-aware, low-profile footprints, available off-the-shelf to serve growing markets enabled by the next generation of connected devices. At SMART, we are inspired by the inflection point in mobile and wireless technologies which is spawning innovative devices, content, and services. Together with silicon, software, and system partners, SMART is pioneering products with an optimized delivery model for target markets such as connected cameras, connected displays and connected fitness.



Global Sales & Support SMART Wireless Computing Inc. 39870 Eureka Dr, Newark, CA 94560 USA
Phone: (510) 623-1231 | Sales-wc@smartwirelesscompute.com

<https://www.smartwirelesscompute.com>

© 2021 SMART Wireless Computing, Inc. All rights reserved. All other trademarks and product information are the property of their respective owners.