

Product Change Notice

Inforce 6309™ SBC Version P1 to P2

002838 Rev A

August 22, 2016

Submit technical questions at:
<http://www.inforcecomputing.com/techweb/>

Confidential and Proprietary – Inforce Computing Inc.

NO PUBLIC DISCLOSURE PERMITTED: Please report postings of this document on public servers or web sites to: techsupport@inforcecomputing.com.

Restricted Distribution: Not to be distributed to anyone who is not an employee of either Inforce Computing or its subsidiaries without the express approval of Inforce Computing.

Not to be used, copied, reproduced, or modified in whole or in part, nor its contents revealed in any manner to others without the express written permission of Inforce Computing, Inc.

Inforce Computing is a trademark of Inforce Computing Incorporated, registered in the United States and other countries. All Inforce Computing Incorporated trademarks are used with permission. Other product and brand names may be trademarks or registered trademarks of their respective owners.

This technical data may be subject to U.S. and international export, re-export, or transfer (“export”) laws. Diversion contrary to U.S. and international law is strictly prohibited.

**Inforce Computing Inc.
48820 Kato Road, # 600B
Fremont, CA 94538
U.S.A.**

Revision History

Revision	Date	Description	Author
A	22/August/2016	Initial Release	DJ

Approval Record

Function	Name	Date
Checked By	DD	22/August/2016
Reviewed By	VPS	22/August/2016
Approved By	PSD	22/August/2016

License Agreement

Your use of this document is subject to and governed by those terms and conditions in the Inforce Computing Purchase and Software License Agreement for the APQ8016 based Inforce 6309 SBC, which you or the legal entity you represent, as the case may be, accepted and agreed to when purchasing a Inforce 6309 SBC from Inforce Computing Inc. ("**Agreement**"). You may use this document, which shall be considered part of the defined term "Documentation" for purposes of the Agreement, solely in support of your permitted use of the Inforce 6309 SBC under the Agreement. Distribution of this document is strictly prohibited without the express written permission of Inforce Computing Inc. and its respective licensors, which they can withhold, condition or delay in its sole discretion.

Inforce Computing is a trademark of Inforce Computing Inc., registered in USA and other countries.

Qualcomm is a trademark of Qualcomm Inc, registered in the United States and other countries. Other product and brand names used herein may be trademarks or registered trademarks of their respective owners.

This document contains technical data that may be subject to U.S. and international export, re-export, or transfer ("export") laws. Diversion contrary to U.S. and international law is strictly prohibited.

Preface

The purpose of this document is to highlight the HW changes implemented in the P2 variant of Inforce 6309™ SBC.

Intended Audience

This Product Change Notice is intended for technically qualified personnel. It is not intended for general audiences.

Intended Use

All Inforce boards are evaluated as Information Technology Equipment (I.T.E.) for use in personal computers (PC) for installation in homes, offices, schools, computer rooms, and similar locations. The suitability of this product for other PC or embedded non-PC applications or other environments, such as medical, industrial, alarm systems, test equipment, etc. may not be supported without further evaluation by Inforce Computing.

Document Organization

The chapters in this document are arranged as follows:

1. Scope
2. Changes
3. Impact
4. Contact Information

Conventions

The following conventions are used in this document:



CAUTION

Cautions warn the user about how to prevent damage to hardware or loss of data.



NOTE

Notes call attention to important information.

Note

This document is subject to change without notice.

Support Information

Every effort has been made to ensure the accuracy of the Product Change Notice. If you have any comments, questions, or ideas regarding this document, contact Inforce's technical support at: techsupport@inforcecomputing.com

Terminology

The table below gives descriptions to some common terms used in the Product Change Notice.

Term	Description
GPS	Global Positioning System
JTAG	Joint Test Action Group
NPTH	Non Plated Through Hole
PTH	Plated Through Hole
RTC	Real-Time Clock
SBC	Single Board Computer

Table of Contents

1. SCOPE	1
2. CHANGES	2
2.1 RTC FUNCTIONALITY	2
2.2 GPS ANTENNA POWER.....	3
2.3 JTAG INTERFACE	3
2.4 MOUNTING HOLES.....	3
3. IMPACT	4
3.1 ANDROID BSP	4
3.2 LINUX BSP	4
4. CONTACT INFORMATION	5

1. SCOPE

This document highlights the changes implemented in the Inforce 6309™ SBC.

Table 1: Targeted Product SKU's

SI No	TLA	Description	Remarks
1	IFC6309-XX-P2	INF,SD 410,SBC,1/8GB,ANDROID/ LINUX,BRD	
2	IFC6309X-XX-P2	INF,SD 410,SBC,1/8GB,ANDROID/ LINUX,BRD	Extended Temp Grade

2. CHANGES

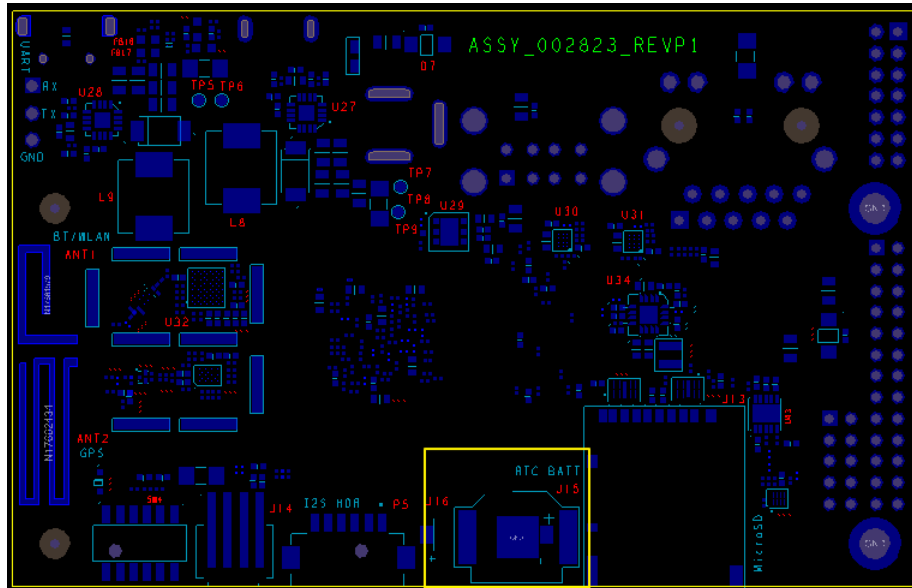
Following hardware changes are implemented in the IFC6309X-00-P2 board.

2.1 RTC FUNCTIONALITY

To enable RTC functionality, a battery is provided in the board. Details of the battery are given below.

- Battery Voltage: 3V
- Battery Capacity: 5mAH
- Battery Operating Temperature: -20°C to 60°C

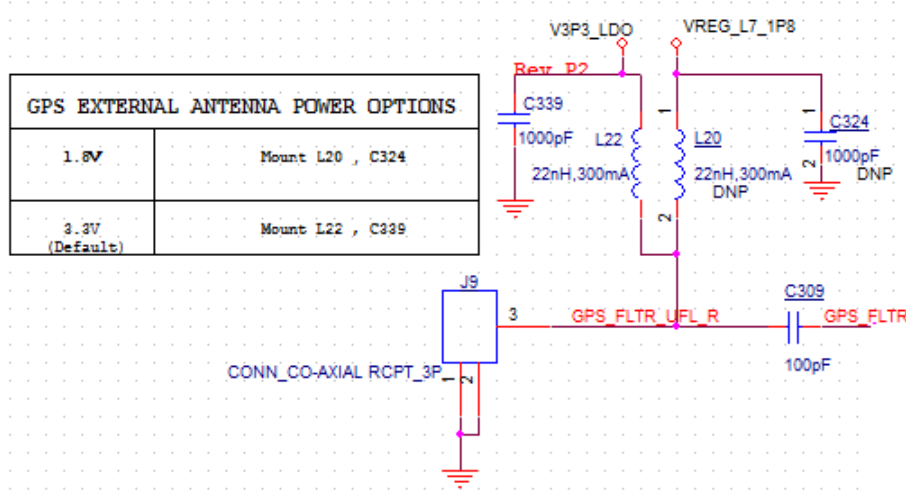
Figure 1: Battery Location – Bottom Side



2.2 GPS ANTENNA POWER

The power supply for external GPS antenna has been updated from 1.8V to 3.3V.

Figure 2: GPS External Antenna Power



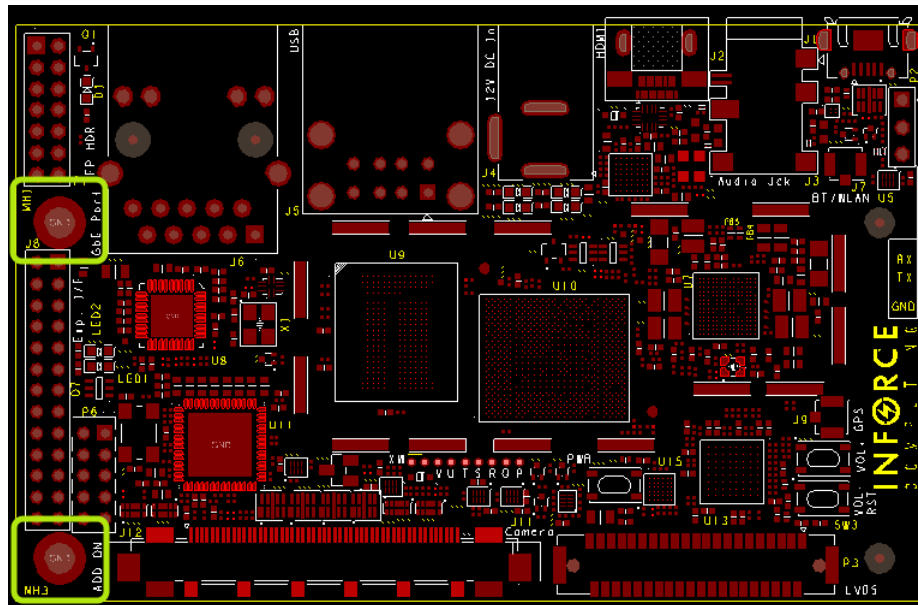
2.3 JTAG INTERFACE

The JTAG interface connector available in P1 variants is removed in P2 variants.

2.4 MOUNTING HOLES

Mounting holes MH1 & MH3 changed from NPTH to PTH.

Figure 3: Mounting Hole Locations



3. IMPACT

The impact on software because of the hardware change is described below.

3.1 ANDROID BSP

1. libtime library added in the build (system.img)
2. kernel - charging coin cell is added (boot.img)

3.2 LINUX BSP

To be defined.

4. CONTACT INFORMATION

USA (Corporate Headquarters)

Inforce Computing Inc.

48820 Kato Road, # 600B

Fremont, California 94538 USA.

Phone: +1 510 683 9999

Fax: +1 510 683 9909

For technical assistance refer: <http://www.inforcecomputing.com/techweb>

For technical support contact: techsupport@inforcecomputing.com

For sales contact: sales@inforcecomputing.com

© 2016 Inforce Computing, Inc. All rights reserved. All data provided is for informational purposes only and does not represent any expressed or implied guarantees. At the time of publishing, the information is believed to have been accurate; nevertheless, Inforce Computing doesn't assume responsibility for any errors, omissions, and inaccuracies whatsoever. Product specifications are subject to change without notice. Inforce Computing and the Inforce logo are registered trademarks of Inforce Computing, Inc. in the USA and other countries. Qualcomm and Snapdragon are trademarks of Qualcomm incorporated, registered in the United States and other countries; used with permission. Qualcomm Snapdragon is a product of Qualcomm Technologies, Inc. Qualcomm Snapdragon, Qualcomm Adreno, Qualcomm Hexagon, Krait™ and HQV™ are products of Qualcomm Technologies Inc. All other trademarks and product information are the property of their respective owners.