



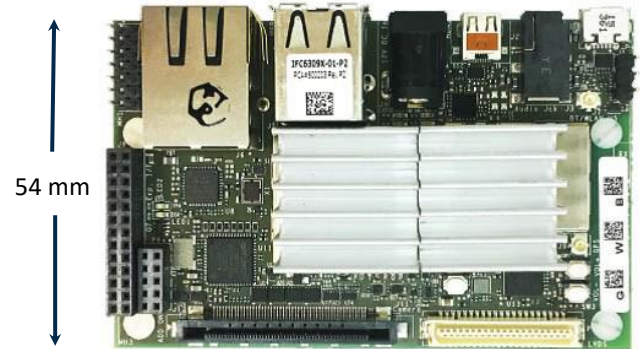
## Inforce 6309™ Micro SBC

**Micro Single Board Computer Based on the Qualcomm® Snapdragon™ 410 Processor with Extended Temperature**

The Inforce 6309 micro SBC is a full-featured single board computer (SBC) based on the powerful 64-bit Snapdragon 410 processor. The credit card sized (54mm x 85mm) Micro SBC is an application-ready platform, suitable for various embedded markets. It delivers a rich set of I/Os and unique features including dual MIPI-CSI cameras, support for an extended operating temperature range (-20°C to 70°C), and LVDS displays.

An optional interface card enables Power-over-Ethernet (PoE) and RS485 ports for industrial applications. The Inforce 6309 Micro SBC delivers high performance, rich multimedia, low power consumption, connectivity and comprehensive support for an upstream Linux kernel (Linaro), Android OS and device drivers for embedded applications such as:

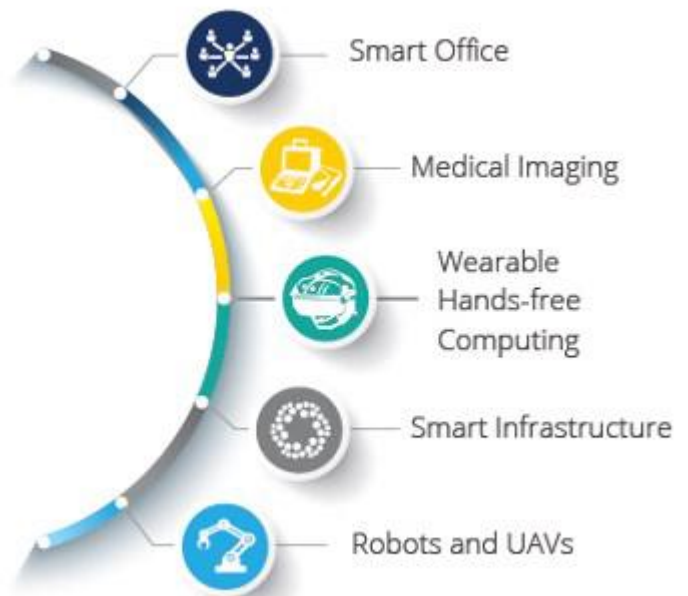
- Industrial automation
- Internet-of-Everything (IoE) devices
- Digital Signage, Smart Infrastructure, Retail



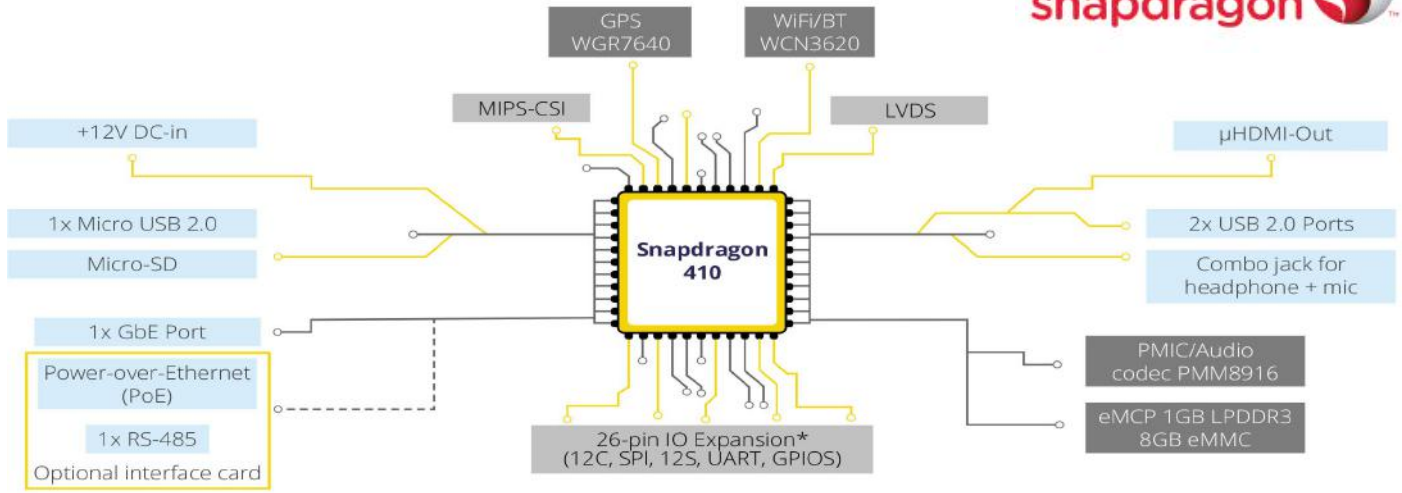
**Micro SBC**

### Processing, Power and Performance

- Qualcomm® Snapdragon™ 410 processor (APQ8016 SoC)
  - Quad-core ARM® Cortex® A53 64-bit CPU @1.2GHz each, ARMv8-A ISA compliant
  - Adreno™ 306 GPU with support for OpenGL ES 3.0, DirectX, and OpenCL
  - Hexagon™ QDSP6 @700MHz for ultra-low power audio and computer vision processing
  - Integrated ISP with support for 1.5GPs throughput
- 1GB LPDDR3 RAM @533MHz + 8GB eMMC (eMCP package)
- MicroSD card connector
- 802.11 b/g/n 2.4GHz WiFi , BT 4.1 LE, GPS
- 10/100/1000Mbps Ethernet on an USB2.0 to GbE controller
- Supports dual-cameras (13MP total) on MIPI-CSI
- µHDMI output for HD1080p @30fps video and HD audio



**Broad Application Space**



\* Not all interfaces can be used at the same time

## Additional Technical Specifications

### Video, Audio and I/O Interfaces

- μHDMI Rev1.3a for 1080p30 HD
- Dual MIPI-CSI2 (4/2-lanes)
- Combo-jack for headphone/Mic-in
- Support for 720p Miracast™
- H.264 playback and capture @1080p
- H.265 playback @1080p
- 26-pin I/O expansion header
- External antenna connectors
- Power-over-Ethernet (PoE), configured as PD (optional)
- LVDS for displays
- 2x USB 2.0
- 1x USB 2.0 OTG
- JTAG
- 1x I2C
- 1x SPI
- 1x I2S
- 2x UART
- 20x GPIO
- RS-485 (optional)

### Software

- Choice of Android Lollipop/Linaro Ubuntu Linux board support packages (BSP)/OS pre-loaded

### Power, Mechanical and Environmental

- Power: +12V DC Input Socket (1.5A typ.)
- Dimensions: 54mm x 85mm (Micro SBC)
- Operating Temp: -20°C to +70°C
- Relative Humidity: 5 to 95% non-condensing
- RoHS and WEEE compliant

### Ordering Info

Part Number	Description	Availability
IFC6309X-00-P2	Micro SBC (Android/Board Only)	Off-the-Shelf
IFC6309X-01-P2	Micro SBC (Android /Starter Kit)	Off-the-Shelf
IFC6309X-10-P2	Micro SBC (Linux / Board Only)	Off-the-Shelf
IFC6309X-11-P2	Micro SBC (Linux / Starter Kit)	Off-the-Shelf
IFC6309-00-P2	Commercial Grade /Android / Board Only	Build-to-Order
IFC6309-10-P2	Commercial Grade /Linux / Board only	Build-to-Order

\*Board ships with heatsink, shield, and RTC

\*Starter Kit ships with board, acrylic base, power adapter and microUSB cable

## Inforce — Embedded. Connected. Aware.

Inforce Computing® is a supplier of application-ready embedded hardware platforms in eco-aware, low-profile footprints, available off-the-shelf to serve growing markets enabled by the next generation of connected devices. At Inforce, we are inspired by the inflection point in mobile and wireless technologies which is spawning innovative devices, content, and services. Together with our silicon, software, and system partners, Inforce is pioneering products with an optimized delivery model for medical imaging, smart office, hands-free computing, robotics and drones.

© 2019 Inforce Computing, Inc. All rights reserved. Product specifications are subject to change without notice. Inforce Computing and the Inforce logo are registered trademarks of Inforce Computing, Inc. in the USA and other countries. All other trademarks and product information are the property of their respective owners.