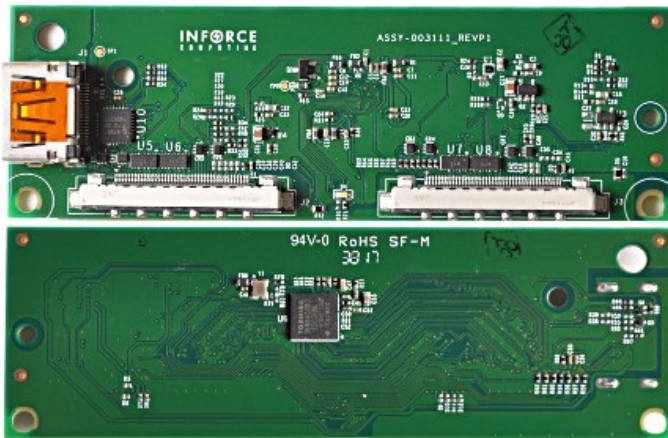


ACC-1S80

Ultra HD HDMI Input Adapter Card

This is an UHD/1080p rev camera adapter board that uses Toshiba's UHDMI to CSI conversion chip. It provides a Type A HDMI connector to receive HDMI input and feeds CSI data into Inforce platforms through two 41-pin MIPI-CSI connectors. There is no additional power supply required for this module. This module is capable of supporting 1080p on a single CSI-2 using 4 lanes and 4k using dual CSI-2 using 8 lanes and supports audio through I2S.

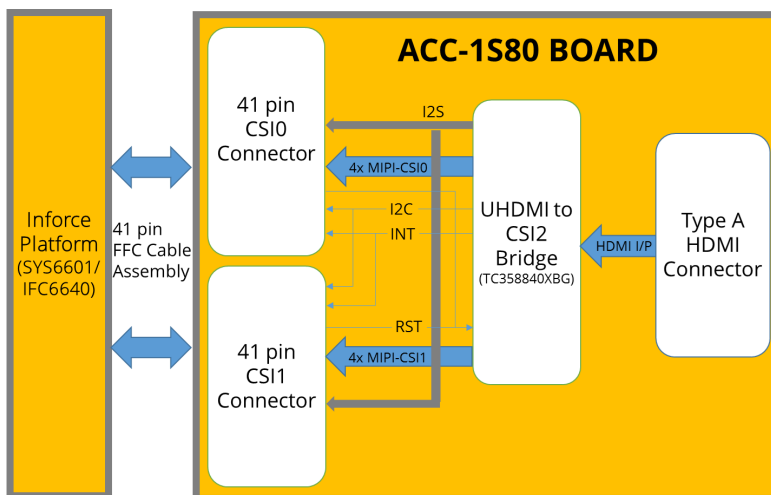


Specifications

- Capable of 1080p on a single CSI-2 using 4 lanes and 4k using dual CSI-2 using 8 lanes
- HDMI 1.4a/b with audio, EDID negotiations and support for InfoFrame data.
- Resolutions of 1080p@60 or 4K@30fps at 24bpp
- Record HDMI input stream with Audio which is supported through I2S lines
- MIPI CSI-2 compliant

Power, Mechanical, and Environmental

- Module Dimensions:
 - * 100mm x 33mm x 9mm
 - * 16 gms
- Temp:
 - * Operating: 0 to 70 C
 - * Storage : -20 to 80 C



*41-pin MIPI-CSI cables included with accessory

Ordering Info

Part Number	Description	Available
ACC-1S80-00-P2	UHDMI Input Adapter Card	Q1 2018

Inforce — Embedded. Connected. Aware.

Inforce Computing® is a supplier of application-ready embedded hardware platforms in eco-aware, low-profile footprints, available off-the-shelf to serve growing markets enabled by the next generation of connected devices. At Inforce, we are inspired by the inflection point in mobile and wireless technologies which is spawning innovative devices, content, and services. Together with our silicon, software, and system partners, Inforce is pioneering products with an optimized delivery model for medical imaging, smart office, hands-free computing, and robotics.