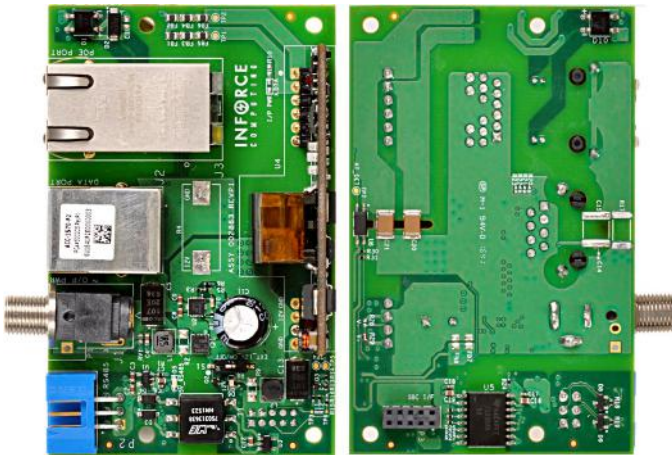


## ACC-1S70

### PoE (Power over Ethernet) / RS485 add-on for Inforce 6309 SBC

The ACC-1S70 is a Power Over Ethernet accessory that allows you to power your Inforce 6309 platform and provide an Ethernet connection in any location with just a single cable. This also provides isolated Full Duplex RS-485 Transceiver. The accessory is completely plug and play with no additional software requirements and supports extended temperatures. This is thus a perfect accessory for removing the clutter of wires and for reliable use in remote locations.



### PoE/RS485 Accessory Specifications

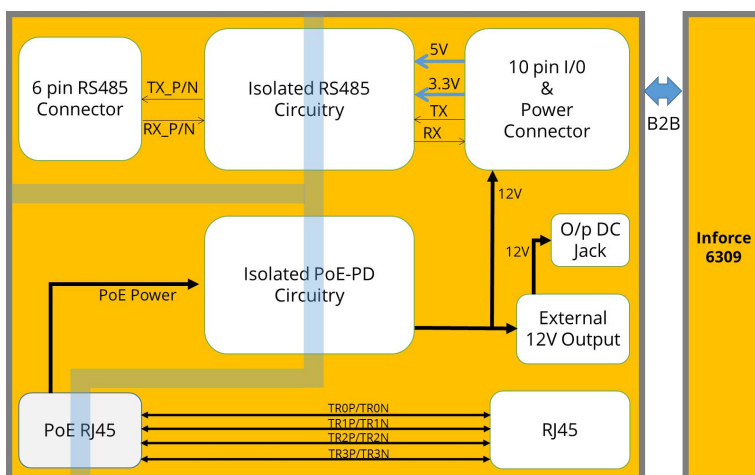
- PD configuration for PoE where the board gets power from PoE-enabled switches
- 12V DC output with an External 12V,1A Jack with Lock
- The connection to Inforce 6309 platform is through a 10 pin header which provides 12V power supply
- PoE is 25.5W IEEE 802.3at Compliant (Type 2) PD;
- Overload, short-circuit and thermal protection
- 1.5KV isolation I/p to O/p; Under and Over voltage support with Thermal Protection
- Short-Circuit Protection with Auto-Restart
- Isolated Full Duplex RS-485 Transceiver
- RS-485 meets TIA/EIA RS-485 Requirements; Signalling Rates up to 4 Mbps; 50 kV/μs Typical Transient Immunity

### Power, Mechanical, and Environmental

- 85mm x 54mm x 25.6mm; 54 grams
- Power: 12V/1A DC output
- Operating Temp: -20 to 70 C  
Storage Temp : -20 to 80 C
- Relative Humidity: 5 - 95% non-condensing

### Ordering Info

Part Number	Description	Available
ACC-1S70-P2	PoE (Power over Ethernet) / RS485 add-on card	Now



Connection spacers are included with this accessory

## Inforce — Embedded. Connected. Aware.

Inforce Computing® is a supplier of application-ready embedded hardware platforms in eco-aware, low-profile footprints, available off-the-shelf to serve growing markets enabled by the next generation of connected devices. At Inforce, we are inspired by the inflection point in mobile and wireless technologies which is spawning innovative devices, content, and services. Together with our silicon, software, and system partners, Inforce is pioneering products with an optimized delivery model for medical imaging, smart office, hands-free computing, and robotics.