

ACC-1H70

21 Megapixel Camera Adapter Board with 41-Pin MIPI-CSI Connector

This camera module accessory has an on board camera sensor from Sony (IMX230). It is a diagonal 21M pixel CMOS active pixel type stacked image sensor with a square pixel array. It adopts Exmor-RS™ technology to achieve high speed image capturing and by introducing spatially multiplexed exposure, HDR still pictures and movies are achieved. It operates with three power supply voltages and achieves low power consumption. It offers a readout rate of 24 frames per second at full resolution, 4k2k@30fps and 1080p@60fps in both normal and HDR modes.



- Single lane MIPI CSI interface to Qualcomm® APQ8096 device
- Programmable IO drive capability, IO tri-state configurability

Camera SoC Sensor Specifications

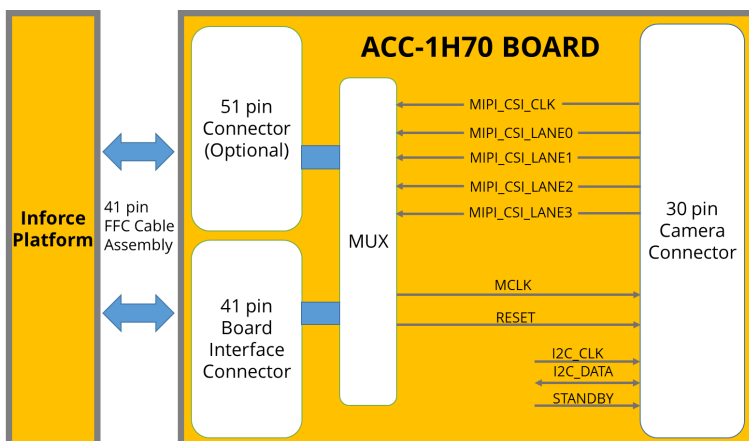
- Sony IMX230 Back-illuminated and stacked-type CMOS image sensor with Exmor RS™
- CSI-2 serial data o/p (2/4 lane configurable)
- Single Frame High Dynamic Range (HDR) with equivalent full pixels
- 10 bit A/D convertor on chip
- RGB primary color pigment mosaic filters on-chip
- Automatic optical black clamp circuit on chip
- High-sensitivity, low-dark current, no smear, excellent anti-blooming characteristics
- Variable-speed shutter function (external mechanical shutter also supported)
- Full resolution@24fps (Normal / HDR). 4K2K @30fps (Normal / HDR) 1080p @60fps (Normal / HDR)
- Dynamic Defect Pixel Correction
- Independent flipping and mirroring
- Power-ON reset function
- Built-in temperature sensor

Power, Mechanical, and Environmental

- 38.1×30.45×1.5mm board size; 170gms
- Operating voltages — Analog 2.5V, Digital 1.1V and 1.8V for input/output interface
- Operating Temp: 0 to 70 C
Storage Temp : -20 to 80 C
- Relative Humidity: 5 - 95% non-condensing

Ordering Info

Part Number	Description	Available
ACC-1H70-00-P1	Sony IMX230 Sensor Camera Adapter Card	Now



*41-pin MIPI-CSI cable included with accessory

Inforce — Embedded. Connected. Aware.

Inforce Computing® is a supplier of application-ready embedded hardware platforms in eco-aware, low-profile footprints, available off-the-shelf to serve growing markets enabled by the next generation of connected devices. At Inforce, we are inspired by the inflection point in mobile and wireless technologies which is spawning innovative devices, content, and services. Together with our silicon, software, and system partners, Inforce is pioneering products with an optimized delivery model for medical imaging, smart office, hands-free computing, and robotics.