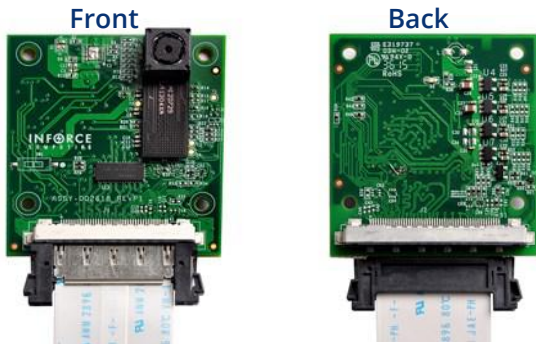


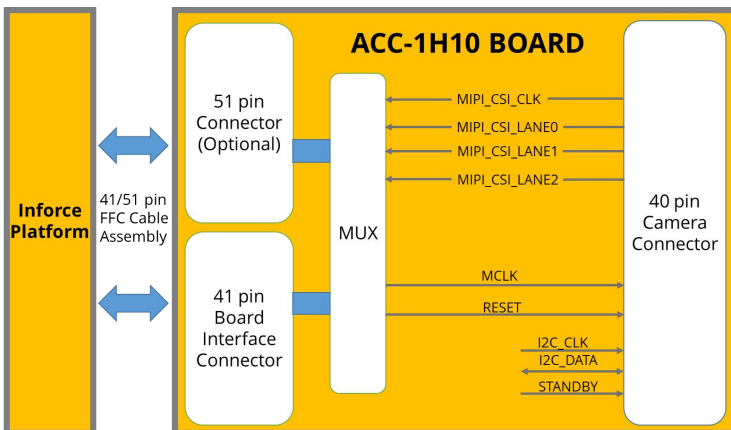
## ACC-1H10

5 Mega Pixel Camera Sensor Module board with 41-pin and 51-pin MIPI-CSI FI-R connector cables

This camera module accessory has an on board camera sensor from OmniVision (OV5640). It has a small form factor and consumes very less power. Its features include anti-shake technology, AF Control, integrated JPEG compression engine and automatic image control functions. It supports 5 MP still image capture along with 720p@60 fps and 1080p@30 fps video streaming capability.



- Single lane MIPI CSI interface to Qualcomm® APQ8064 device
- Programmable IO drive capability, IO tri-state configurability



\*41-pin and 51-pin MIPI-CSI cables included with accessory

### Camera SoC Sensor Specifications

- Omnivision OV5640 5-Megapixel System-on-chip Image Sensor
- 1.4  $\mu\text{m}$  x 1.4  $\mu\text{m}$  pixel with Omni BSI technology for high performance
- Full resolution@15fps / 1080p@30fps / 720p@60fps
- Optical Size of 1/4"
- Automatic image control functions: automatic exposure control (AEC), automatic white balance (AWB), automatic band filter (ABF), automatic 50/60 Hz luminance detection, and automatic black level calibration (ALBC)
- Output Current Path control allows system operation with no start up delay
- Input Clock Frequency 6 ~ 27 MHz
- Max S/N ratio: 36 dB

### Power, Mechanical, and Environmental

- Sensor Dimensions: 8.6 x 8.6 x 5.0mm
- Module Dimensions:
  - \* 40.6mm x 44mm x 5mm
  - \* 170 gms
- Operating voltages:
  - \* Analog 2.6 ~ 3.0V (2.8V typ), Digital 1.5V
  - \* 1.8/2.8V for input/output interface
- Power Requirements:
  - \* Active: 140 mA
  - \* Standby: 20  $\mu\text{A}$
- Temp:
  - \* Operating: 0 to 70 C
  - \* Storage : -20 to 80 C

### Ordering Info

Part Number	Description	Available
ACC-1H10-P3	OV5640 Sensor based Camera Adapter Card	Now

## Inforce — Embedded. Connected. Aware.

Inforce Computing® is a supplier of application-ready embedded hardware platforms in eco-aware, low-profile footprints, available off-the-shelf to serve growing markets enabled by the next generation of connected devices. At Inforce, we are inspired by the inflection point in mobile and wireless technologies which is spawning innovative devices, content, and services. Together with our silicon, software, and system partners, Inforce is pioneering products with an optimized delivery model for medical imaging, smart office, hands-free computing, and robotics.