

# SYS9400-Nano

Mobile-Optimized Nano-ITX Board



## Processing & Performance

- ◆ Intel® Atom™ Processor E6xx (0.6-1.6 GHz)
- ◆ Intel® Platform Controller Hub EG20T
- ◆ Up to 1 GB on-board DDR2
- ◆ OS Compatibility: Optimized for mobile Android and MeeGo environments

## Compact Embedded Computer

The InForce® SYS9400 Mobile-Optimized Nano-ITX board is a compact, high-performance compute platform that is ideal for mobile and embedded applications such as in-vehicle infotainment (IVI), digital signage, telematics and other interactive clients and all-in-one (AIO) devices.

The SYS9400 features an impressive set of user interface and connectivity options, including an integrated touch screen controller, multiple display options, HD audio and a rich set of I/O interfaces

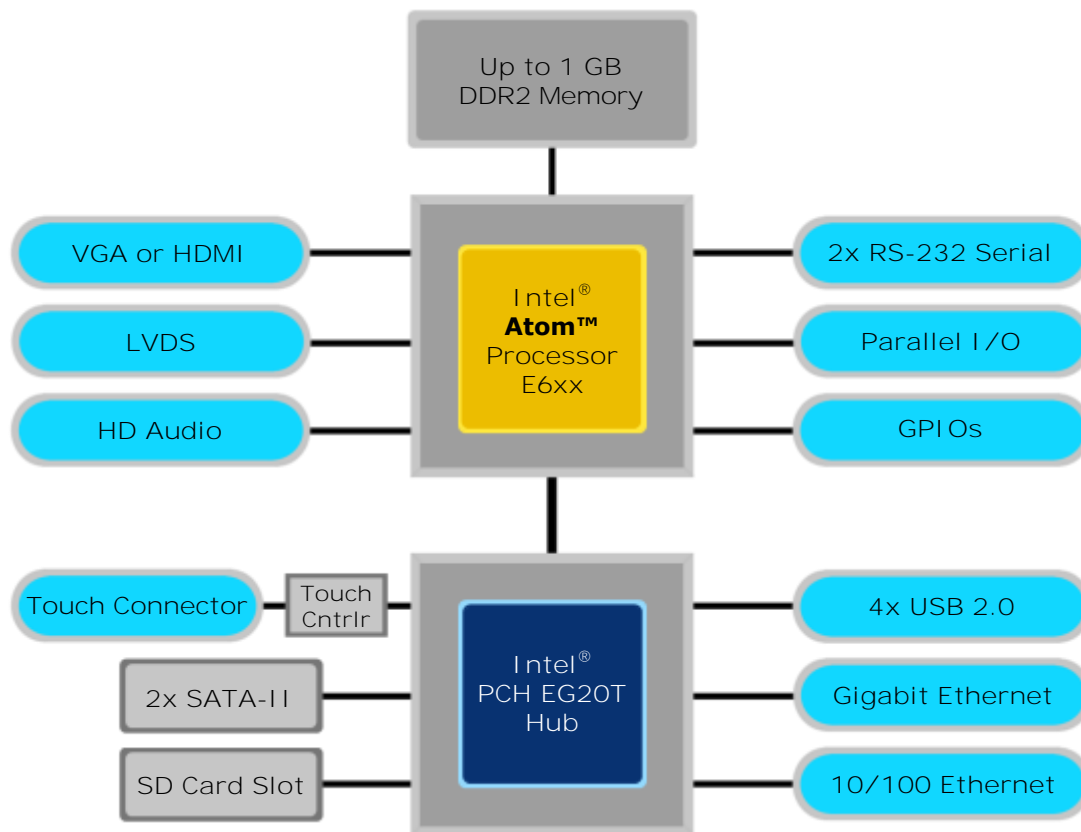
## I/O & Connectivity

- ◆ VGA/HDMI, LVDS & HD Audio
- ◆ Integrated resistive touch controller
- ◆ 4x USB 2.0, 2x RS-232 serial, LPT, GPIOs, Gigabit Ethernet & 10/100 Ethernet
- ◆ SD Card Slot & dual SATA storage options

for communication and peripheral support. Based on Intel® Atom™ technology specifically created for ultra-mobile computing, the SYS9400 offers outstanding performance in an extremely small, low-power footprint.

The SYS9400 is designed for fast integration into today's mobile and embedded devices with native support for Android and MeeGo, as well as Linux and Windows® XP environments.

## Block Diagram



## Technical Specifications

### Processor, Chipset & Memory

- ◆ Intel® Atom™ Processor E6xx Series (0.6-1.6 GHz, 512 KB L2 cache, 800 MT/s DDR2)
- ◆ Intel® Platform Controller Hub EG20T
- ◆ Up to 1 GB on-board DDR2 (800 MT/s)

### I/O & Additional Features

- ◆ 4x USB 2.0
- ◆ Gigabit Ethernet
- ◆ 10/100 Ethernet
- ◆ 2x SATA-II
- ◆ VGA or HDMI
- ◆ LVDS
- ◆ 2x RS-232 Serial
- ◆ Resistive Touch Controller
- ◆ HD Audio (Mic, Line Out)
- ◆ LPT/Parallel Port
- ◆ GPIOs
- ◆ SD Card Slot
- ◆ Battery Charger & Monitor

### Power, Mechanical & Environmental

- ◆ Power: 12V @ 3A
- ◆ Dimensions: 120 mm x 120 mm
- ◆ Operating Temp.: 0 to 70 C (std.)
- ◆ Storage Temp.: -20 to 85 C
- ◆ Relative Humidity: 5 to 95% non-condensing
- ◆ RoHS compliant

[www.inforcecomputing.com](http://www.inforcecomputing.com)

India Sales & Support  
InForce Computing India Pvt Ltd.  
#24, 3<sup>rd</sup> Floor, 1<sup>st</sup> Cross, Magrath Road  
Bangalore, 560025, India  
Phone: +91 80 2556 6699  
sales@inforcecomputing.com



Global Sales & Support  
InForce Computing Inc.  
48860 Millmont Dr., Ste 101C  
Fremont, CA 94538 USA  
Phone: (510) 683-9999  
sales@inforcecomputing.com